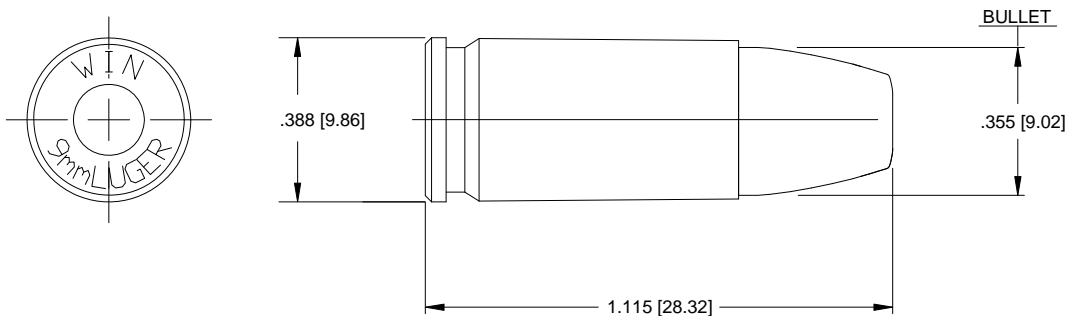




## Winchester 9mm Luger (115) BEB – WinClean™

- Symbol: **WC91** – Winchester Brass Enclosed Base - WinClean
- Shellcase: 9mm Luger brass shellcase
- Bullet: 115 grain (7.5 gram) Truncated Cone Soft Point - Brass Enclosed Base  
Brass jacket, lead core  
Diameter .355 inch (9.02 mm)
- Powder: Clean burning, low flash
- Primer: Winchester lead free, heavy metal free priming mix; nickel plated; boxer type
- Accuracy: Product Mean of 2.50 inches (6.35 cm) Extreme Spread  
5 shot targets at 50 yards (45.7 m) from a 4 inch (10.2 cm) SAAMI test barrel
- Velocity: 1180 ft/sec (360 m/s) nominal at 15 ft (4.6 m)  
Fired in a 4 inch (10.2 cm) standard SAAMI test barrel
- Energy: 355 ft-lb (481 joules)
- Pressure: 35,000 psi max. average (2,414 bars)
- Waterproofing: None

NOMINAL DIMENSIONS SHOWN



WC91

Ref. WI675

INFORMATION PUBLISHED HEREIN IS SUBJECT TO CHANGE AT MANUFACTURER'S DISCRETION WITHOUT NOTICE.

PRODUCT INFORMATION SHEET #263

Rev. 03-15-2005

OLIN CORPORATION • WINCHESTER DIVISION • 427 NORTH SHAMROCK STREET • EAST ALTON, IL 62024-1197  
TELEPHONE: 618 258-2000 • WEB SITE: [www.winchester.com](http://www.winchester.com)