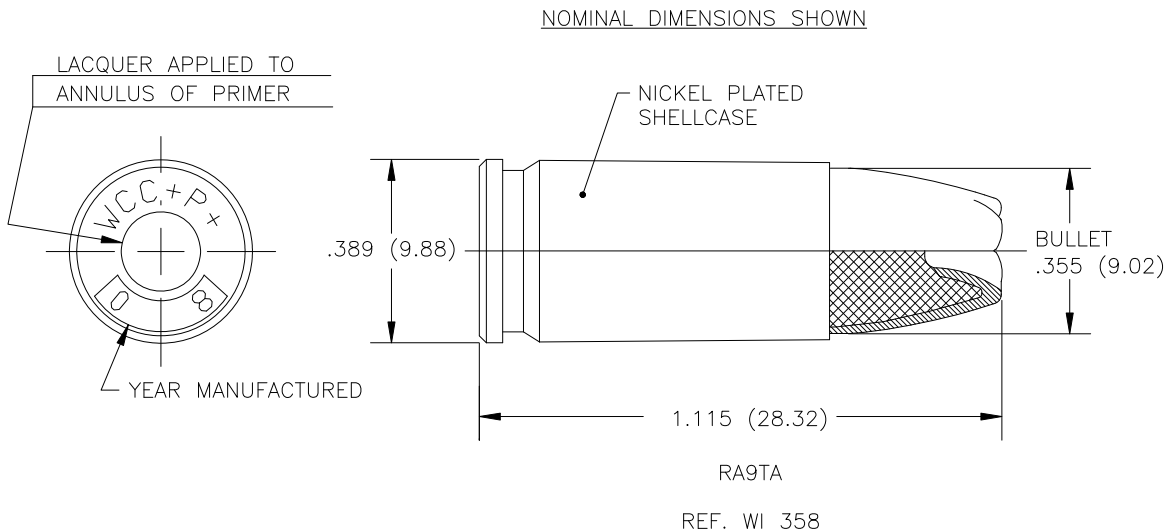




**WINCHESTER**  
AMMUNITION

## Winchester 9mm Luger +P+ (127) Ranger® T-Series

- Symbol: **RA9TA** – Winchester 'T' Series
- Shellcase: 9mm Luger +P+ nickel plated brass shellcase
- Bullet: 127 grain (10.7 gram) reverse tapered jacket with six "talon" design  
Diameter .355 inch (9.02 mm)
- Powder: Clean burning, low flash
- Primer: Winchester non-corrosive primer, boxer type
- Accuracy: Product Mean of 1.25 inches (3.2 cm) Extreme Spread  
5 shot targets at 50 yards (45.7 m) from a 4 inch (10.2 cm) SAAMI test barrel
- Velocity: 1240 ft/sec (378 m/s) nominal at 15 ft (4.6 m)  
Fired in a 4 inch (10.2 cm) standard SAAMI test barrel
- Energy: 433 ft-lb (587 joules) nominal at 15 ft (4.6 m)
- Pressure: 42,000 CUP max. average
- Waterproofing: Lacquer applied to primer annulus



INFORMATION PUBLISHED HEREIN IS SUBJECT TO CHANGE AT MANUFACTURER'S DISCRETION WITHOUT NOTICE.  
REFERENCE OLIN DRAWING WI358  
Revised: 4-29-2008

OLIN CORPORATION • WINCHESTER DIVISION • 427 NORTH SHAMROCK STREET • EAST ALTON, IL 62024-1197  
TELEPHONE: 618 258-2000 • WEB SITE: [www.winchester.com](http://www.winchester.com)