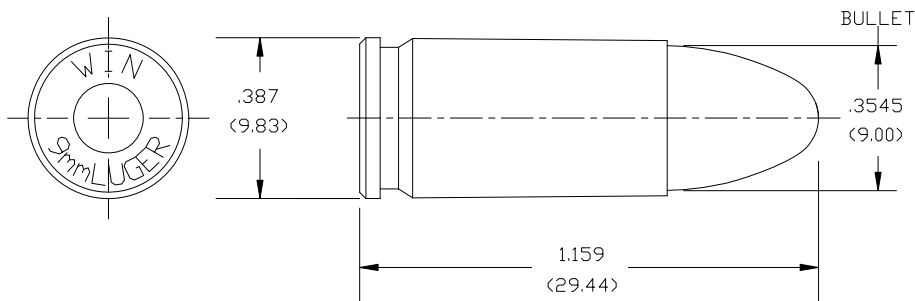




Winchester 9mm Luger (124) FMJ

- Symbol: **USA9MM** – Winchester 9mm Luger (124) Full Metal Jacket
- Shellcase: 9mm Luger brass shellcase
- Bullet: 124 grain (8.0 gram) Full Metal Jacket
Brass jacket, lead core
Diameter .3545 inch (9.00 mm)
- Powder: Clean burning, low flash
- Primer: Winchester non-corrosive, boxer type
- Accuracy: Product Mean of 4.25 inches (10.8 cm) Extreme Spread
5 shot targets at 50 yards (45.7 m) from a 4 inch (10.2 cm) SAAMI test barrel
- Velocity: 1130 ft/sec (344 m/s) nominal at 15 ft (4.6 m)
Fired in a 4 inch (10.2 cm) SAAMI test barrel
- Energy: 352 ft-lb (477 joules)
- Pressure: 35,000 psi max. average (2,414 bars)
- Waterproofing: None

NOMINAL DIMENSIONS SHOWN



USA9MM

REF. WI 415

INFORMATION PUBLISHED HEREIN IS SUBJECT TO CHANGE AT MANUFACTURER'S DISCRETION WITHOUT NOTICE.

PRODUCT INFORMATION SHEET #137

Rev. - 08-13-2001